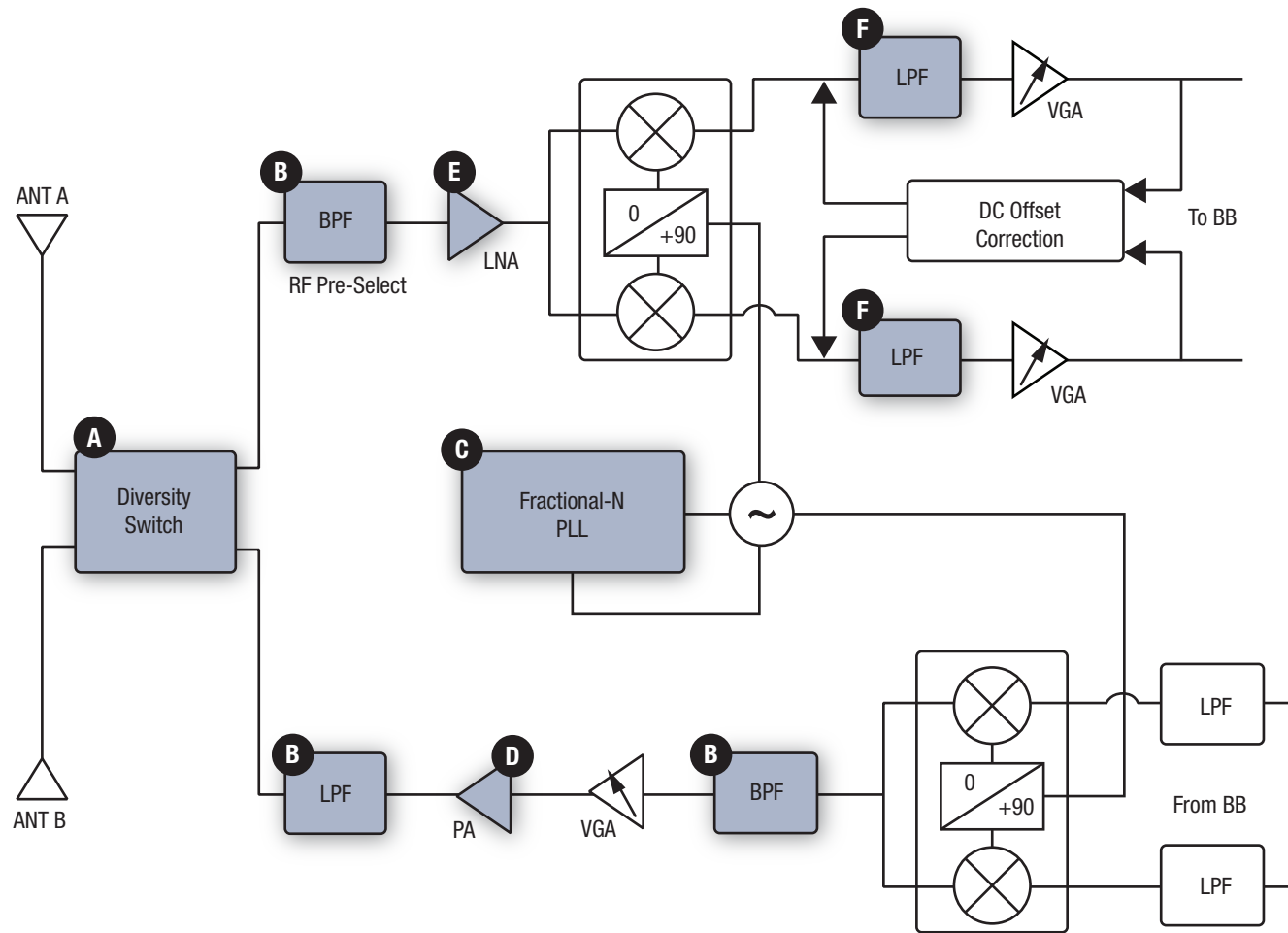


5.8 GHz Direct Conversion Architecture

Part numbers link to product information



Switches

- A** SKY13306-313LF
SKY13314-374LF
SKY13351-378LF
SKY13350-385LF

Filters

- B** Ceramic Band Pass Filter

Synthesizer

- C** SKY72302

Power Amplifiers

- D** SKY65013
SKY65014
SKY65015
SKY65017
SKY65137
SKY65157

Low Noise Amplifier

- E** SKY65404-21

Programmable Low Pass Filters

- F** SKY73201-364LF
SKY73202-364LF