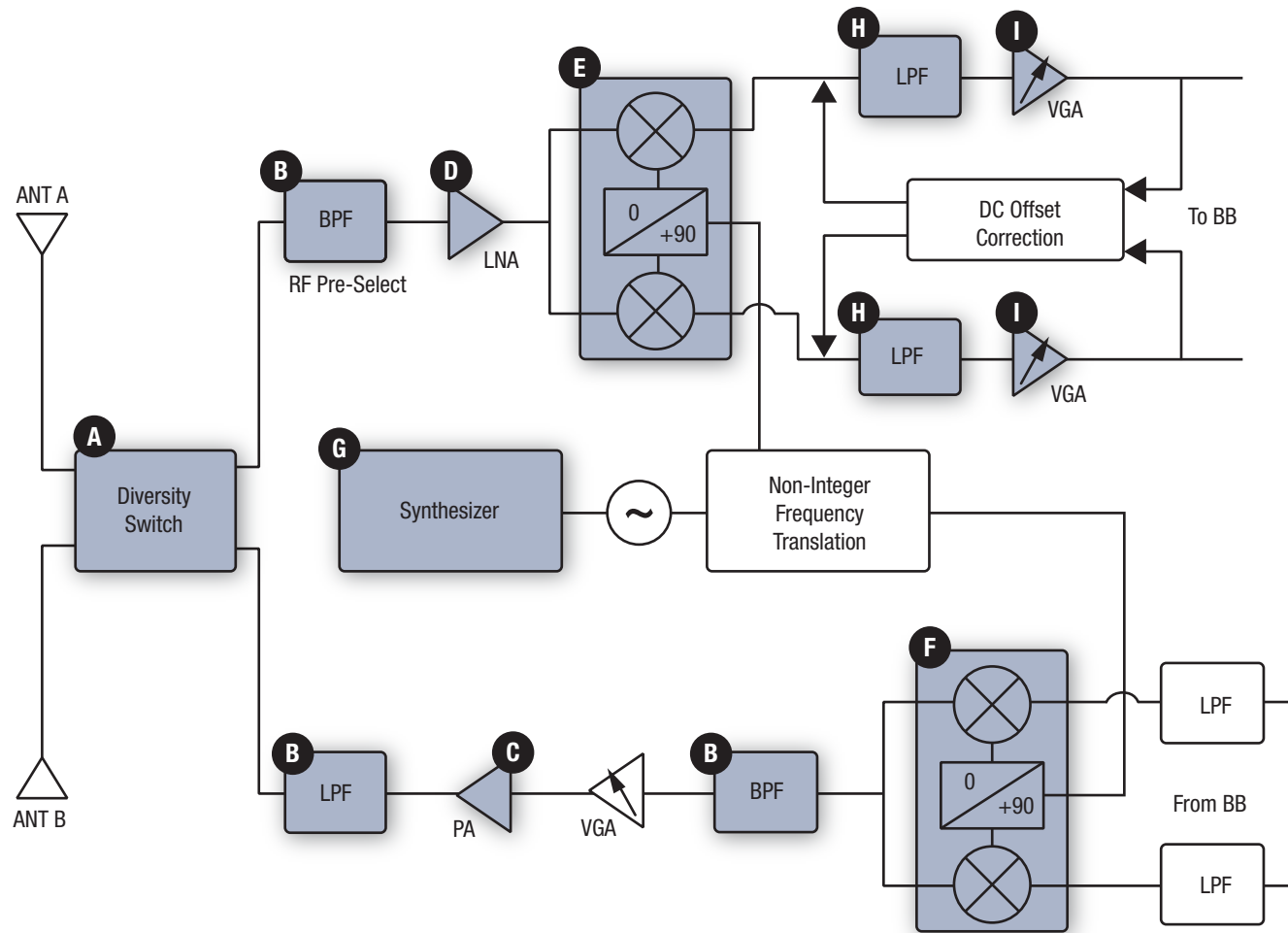


2.4 GHz DIRECT CONVERSION ARCHITECTURE



Switches

- A** AS179-92LF
AS218-321LF
SKY13267-321LF
SMP1340 Series
SMP1345 Series
SMP1320 Series
SMP1352 Series
SKY13314-374LF
SKY13318-321LF

Filters

- B** Ceramic Band Pass Filter

Power Amplifiers

- C** SKY65013 SKY65131
SKY65014 SKY65132
SKY65015 SKY65135
SKY65016 SKY65152
SKY65017 SKY65047

Low Noise Amplifiers

- D** SKY65042
SKY65405

Demodulators

- E** SKY73009
SKY73012

Modulator

- F** SKY73010

Synthesizers

- G** SKY72302
SKY73101

Programmable Low Pass Filters

- H** SKY73201-364LF
SKY73202-364LF

Low Noise Amplifier

- I** SKY65047