

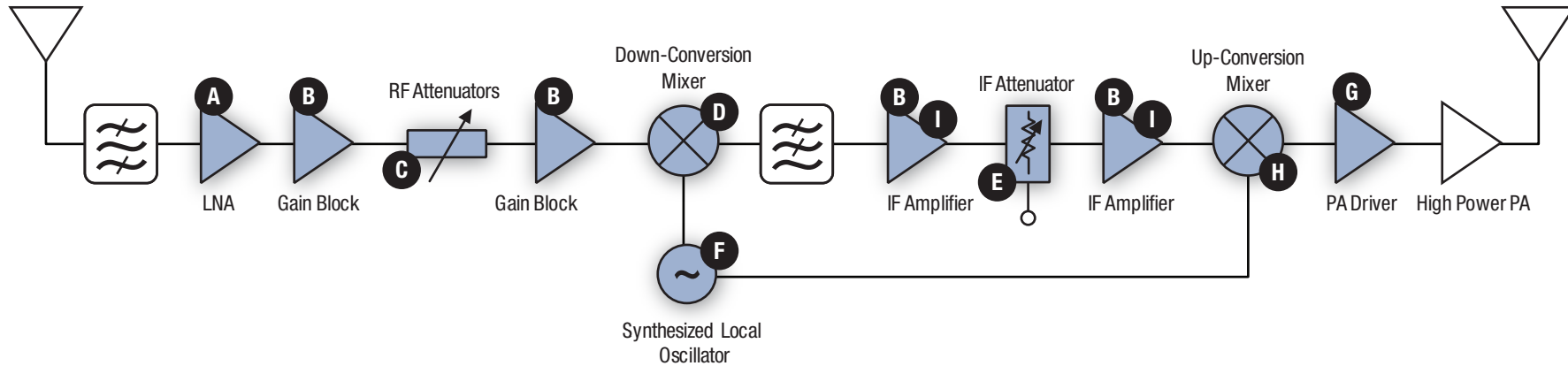
2G, 3G Base Station Repeater

Down-Link/Up-Link

RF Frequency Band: GSM, DCS, PCS, TD-SCDMA, WCDMA

800 MHz, 900 MHz, 1800/1900 MHz, 2.1 GHz, 2.3–2.4 GHz

IF Frequency: 50~250 MHz



LNA

- A** SKY65084
- SKY65048
- SKY65049
- SKY65066
- SKY65051
- SKY65052
- SKY65053
- SKY65050

General Purpose Amplifier

- B** SKY65013-70LF
- SKY65013-92LF
- SKY65014-70LF
- SKY65014-92LF
- SKY65015-70LF
- SKY65015-92LF
- SKY65016-70LF
- SKY65016-92LF
- SKY65017-70LF
- SKY65009-70LF
- SKY65028-70LF
- SKY65038-70LF
- SKY65045-70LF
- SKY65080-70LF

RF Attenuator

- C** **Digital**
- AA101-80LF
- AA109-310LF
- AA110-85LF
- AA113-310LF
- AA117-85LF
- AA260-85LF
- SKY12323-303LF
- SKY12332-310LF
- SKY12338-337LF
- SKY12339-350LF
- SKY12334-362LF
- Voltage Variable**
- AV101-12LF
- AV102-12LF
- AV113-12LF
- SKY12143-315
- SKY12144-315
- SKY12145-315

PIN Diodes

- SMP1304
- SMP1307

Down Conversion Mixer

- D** SKY73032
- SKY73070
- SKY73033
- SKY73035
- SKY42068

IF Attenuator

- E** **PIN Diodes**
- SMP1304
- SMP1307
- Digital**
- SKY12406-360LF
- SKY12407-312LF
- SKY12340-364LF

PLL/VCO/Synthesizer

- F** SKY73120
- SKY72310-362
- SKY72300-21
- SKY72300-362
- SKY72301-22
- SKY72302-21
- SKY74038-21
- SKY73100
- SKY73101
- SKY73103
- SKY73112
- SKY73121

PA Driver

- G** SKY65009-70LF
- SKY65028-70LF
- SKY65038-70LF
- SKY65045-70LF
- SKY65080-70LF
- SKY65112-84LF
- SKY65113-84LF
- SKY65120
- SKY65124
- SKY65126
- SKY65127

Up-Conversion Mixer

- H** SKY73062
- SKY73063
- SKY73069

IF Amplifier

- I** SKY65013-70LF
- SKY65013-92LF
- SKY65014-70LF
- SKY65014-92LF
- SKY65015-70LF
- SKY65015-92LF
- SKY65016-70LF
- SKY65016-92LF
- SKY65017-70LF