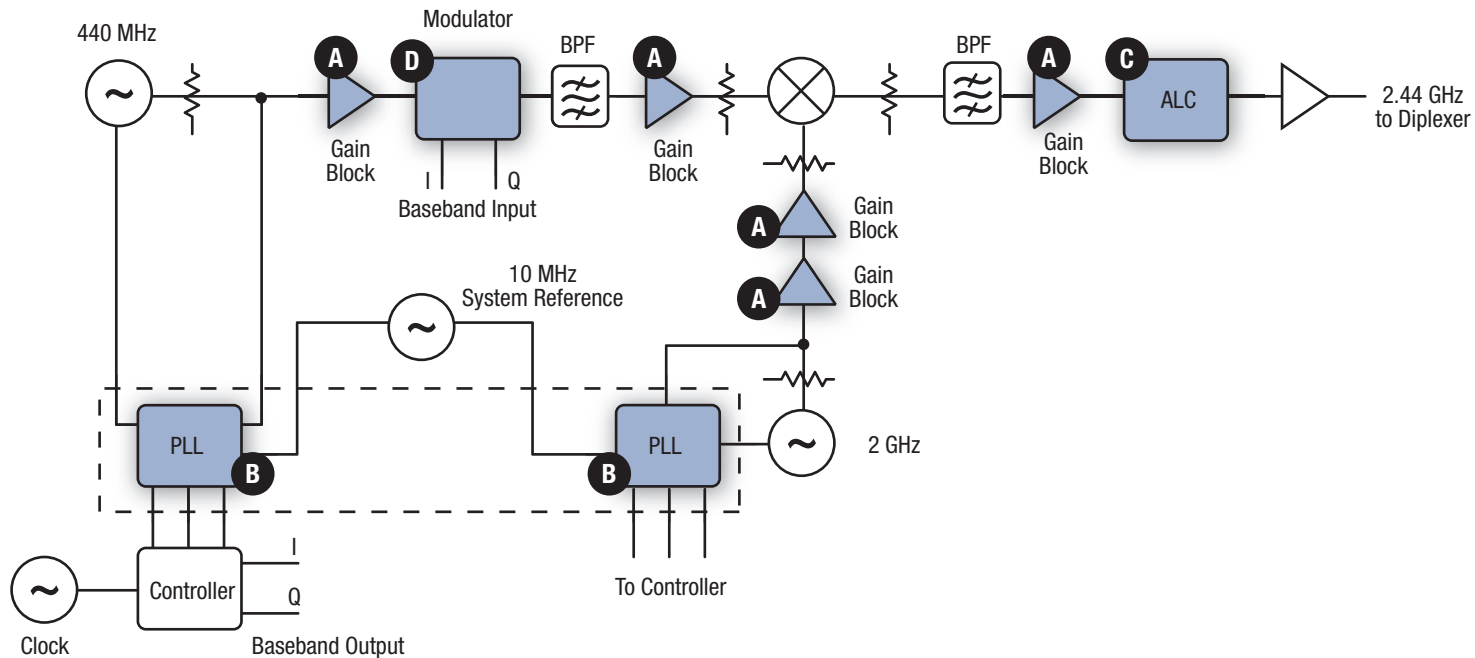


RF ID Transmitter

Part numbers link to product information



Amplifiers

A SKY65013-70LF	SKY65015-70LF
SKY65013-92LF	SKY65015-92LF
SKY65014-70LF	SKY65016-70LF
SKY65014-92LF	SKY65016-92LF

Synthesizers/PLLs

B SKY72300-21
SKY72302-21
SKY74038-21
SKY73100
SKY73112

Attenuators

C SKY12322-86LF
SKY12323-303LF
SKY12324-73LF
SKY12325-350LF
SKY12328-350LF
SKY12329-350LF
SKY12406-360LF
SKY12345-350LF

Direct Quadrature Modulator

D SKY73010-11
