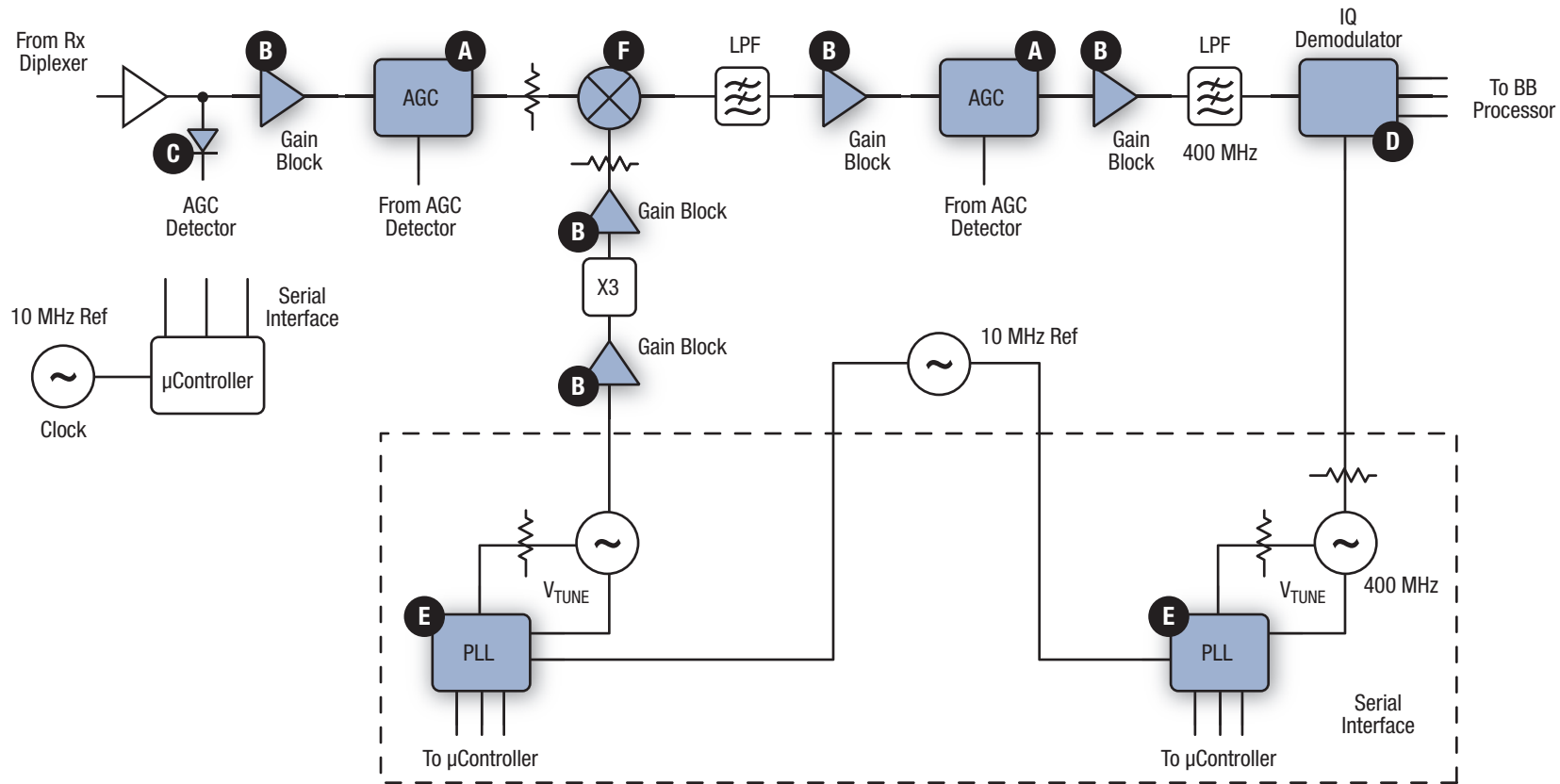


# RF ID Receiver

Part numbers link to product information



## Attenuators

- A** SKY12324-73LF
- SKY12325-350LF
- SKY12328-350LF
- SKY12329-350LF
- SKY12329-350LF
- SKY12406-360LF
- SKY12345-350LF

## Amplifiers

- B** SKY65013-70LF
- SKY65013-92LF
- SKY65014-70LF
- SKY65014-92LF
- SKY65015-70LF
- SKY65015-92LF
- SKY65016-70LF
- SKY65016-92LF

## Schottky Diode

- C** SMS7630-079LF
- SMS7630-061
- SMS7630-040LF

## Direct Quadrature Demodulators

- D** SKY73009-11
- SKY73012-11

## Synthesizers/PLLs

- E** SKY72300-21
- SKY72302-21
- SKY73100
- SKY73112
- SKY74038-21

## Mixers

- F** SKY42068
- SKY73032
- SKY73035