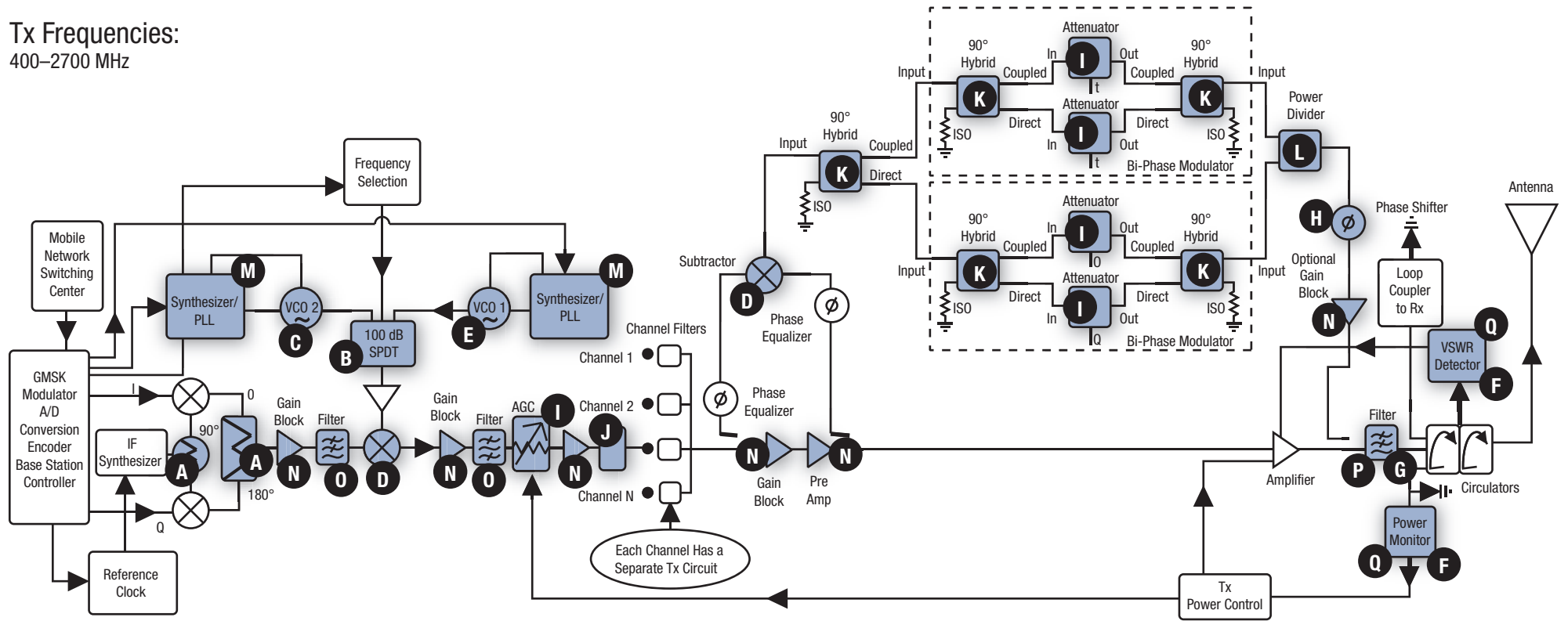


BASE STATION TRANSMITTER WITH COMBINING AMPLIFIER

Tx Frequencies:
400–2700 MHz



Hybrids

- A** HY92-12LF
HY17-12LF
HY19-12LF
- K** HY86-12LF
HY92-12LF
HY17-12LF
HY19-12LF
HY22-73LF

SPDT

- B** AS177-86LF
AS186-302LF
SKY13286-359LF
SMP1302-011LF

Varactor Diodes

- C** SMV1233-079LF
SMV1763-079LF
- E** SMV1236-079LF
- D** DMF3926-100
SKY73032
SKY73033
SKY73062
SKY73063
SKY73069

Schottky Diodes and Mixers

Schottky Diode

- F** SMS3923-005LF

Filters

- G** DC09-73LF
DC18-73LF
DC25-73LF

Phase Shifters

- H** PS088-315
PS094-315
PS196-315
PS214-315

PIN Diodes/VV Attenuators

- I** SMP1304-001LF
SMP1307-001LF
AV101-12LF
AV102-12LF
AV111-12LF
AV113-12LF
SKY12143-315
SKY12144-315
SKY12145-315
SKY12143-315
SKY12144-315
SKY12145-315

Digital Attenuators

- J** AA104-73LF
SKY12322-86LF
SKY12323-303LF
SKY12324-73LF
SKY12325-350LF
SKY12328-350LF
SKY12332-310LF
SKY12334-362LF
SKY12406-360LF

Power Dividers

- L** PD09-73LF
PD18-73LF
PD22-73LF

Synthesizer/PLL

- M** SKY72300-21
SKY72302-21
SKY74038-21

Amplifiers

- N** SKY65008
SKY65009-70LF
SKY65013
SKY65014
SKY65015
SKY65016
SKY65017
SKY65028-70LF
SKY65038-70LF
SKY65040-360LF
SKY65045
SKY65120
SKY65124
SKY65126
SKY65127

Ceramic Band Pass Filters

- O** DC09-73LF

Ferrites

- P** DC25-73LF

Directional Detector

- Q** DD02-999LF