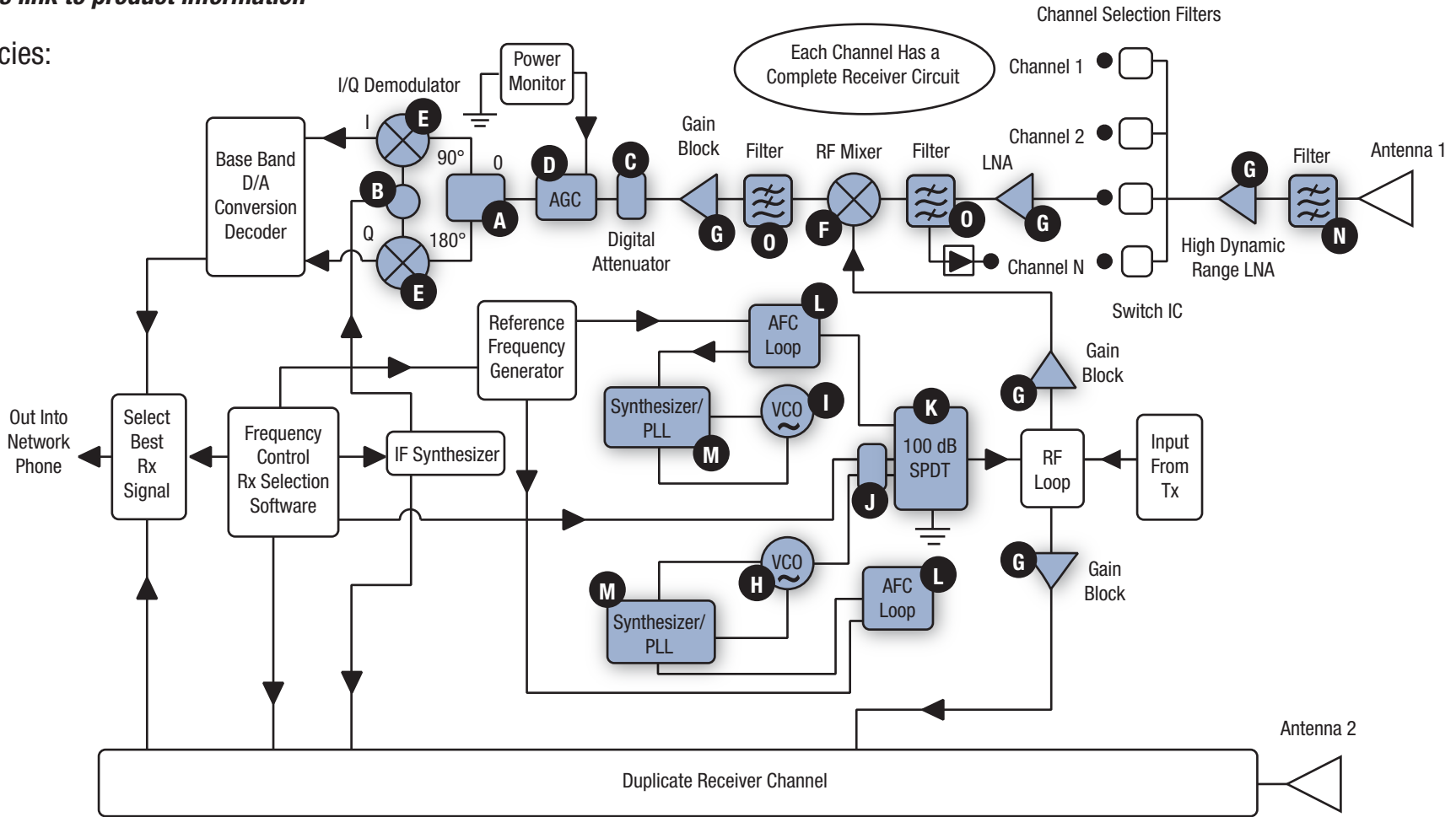


Base Station Receiver System Using Antenna Diversity

Part numbers link to product information

Rx Frequencies:
400–2700 MHz



Hybrids

- A** HY92-12LF
- HY17-12LF
- HY19-12LF

Power Dividers

- B** PD09-73LF
- PD18-73LF

Digital Attenuators

- C** AA113-310LF
- SKY12322-86LF
- SKY12323-303LF
- SKY12324-73LF
- SKY12325-350LF
- SKY12328-350LF

PIN Diodes

- D** SMP1304-001LF
- SMP1304-004LF
- SMP1307-001LF

Schottky Diodes & RF / IF ICs

- E** SKY73009
- SKY73012-11

Mixer/Downconverters

- F** SMS3926-023LF SKY73025
- SKY73020-11 SKY73062
- SKY73021-11 SKY73063
- SKY73022 SKY73069
- SKY73023 SKY12329-370LF
- SKY73032 SKY12345-350LF
- SKY73033
- SKY42068

Amplifiers

- G** SKY65008
- SKY65009-70LF
- SKY65013
- SKY65014
- SKY65015
- SKY65016
- SKY65017
- SKY65028-70LF
- SKY65045
- SKY65120
- SKY65124
- SKY65126
- SKY65127
- SKY65038-70LF
- SKY65080
- SKY65081
- SKY65161
- SKY65162

VCO or Varactor Diodes

- H** SMV1233-079LF
- SKY73120
- I** SMV1236-079LF
- SKY73120

Directional Couplers

- J** DC09-73LF
- DC18-73LF

Switches

- K** AS177-86LF
- AS186-302LF
- SKY13277-355LF
- SKY13286-359LF

Schottky Diodes

- L** SMS7630-079LF
- SMS7630-040LF

Synthesizer/PLL

- M** SKY72300-21
- SKY72302-21
- SKY72310
- SKY73100
- SKY73101
- SKY73103
- SKY73112
- SKY74038-21
- SKY73134

Dielectric Resonators

- N** Dielectric Resonators
- O** Ceramic Band Pass Filters