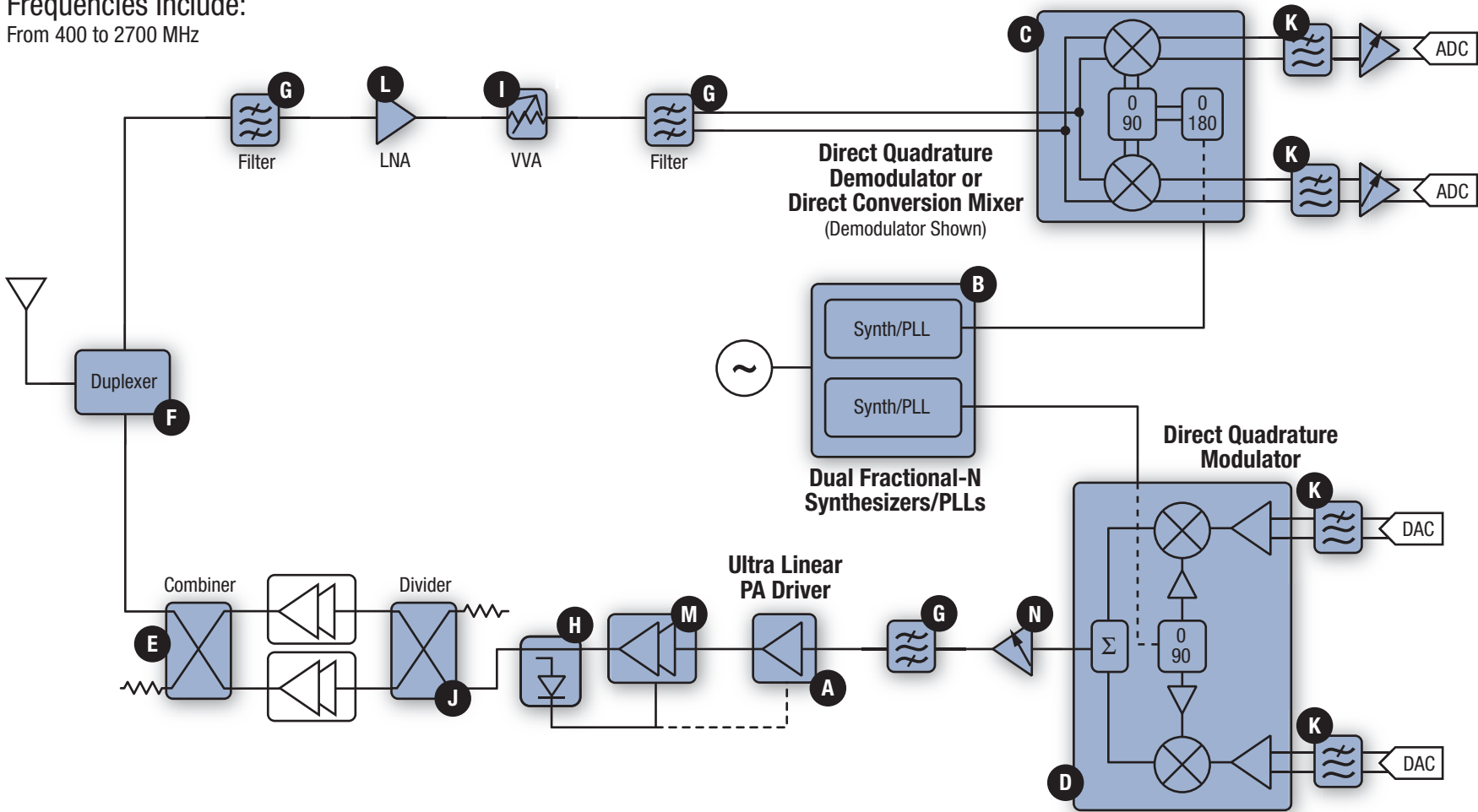


Direct Conversion Base Station Transceiver

Part numbers link to product information

Frequencies Include:

From 400 to 2700 MHz



PA Drivers

- A** SKY65008
- SKY65009-70LF
- SKY65013
- SKY65014
- SKY65015
- SKY65016
- SKY65017
- SKY65028-70LF
- SKY65112-84LF
- SKY65113-84LF
- SKY65161
- SKY65162

Synthesizers

- B** SKY72300-21
- SKY72302-21
- SKY72310
- SKY73100
- SKY73101
- SKY73103
- SKY73112
- SKY73126
- SKY74038-21
- SKY73134

Direct Quadrature Demodulators or Direct Conversion Mixer

- C** SKY73009-11
- SKY73012-11

Direct Quadrature Modulator

- D** SKY73010-11

Hybrids

- E** HY12-12LF
- HY92-12LF
- HY19-12LF
- HY86-12LF
- HY22-12LF

Dielectric Resonators

- F** Dielectric Resonators

Directional Detectors/Couplers

- H** DD02-999LF
- DC08-73LF
- DC09-73LF
- DC18-73LF
- DC25-73LF

Ceramic Band Pass Filters

- G** Ceramic Band Pass Filters
- I** AV101-12LF
- AV102-12LF
- AV111-12LF
- AV113-12LF
- SMP1304 Series
- SMP1307-011LF
- SKY12143-315
- SKY12144-315
- SKY12145-315

VVAs/PIN Diodes

- I** AV101-12LF
- AV102-12LF
- AV111-12LF
- AV113-12LF
- SMP1304 Series
- SMP1307-011LF
- SKY12143-315
- SKY12144-315
- SKY12145-315

Dividers

- J** PD09-73LF
- PD18-73LF
- PD19-73LF
- PD22-73LF

Programmable Filters

- K** SKY73201-364LF
- SKY73202-364LF

Low Noise Amplifiers

- L** SKY65045-70LF
- SKY65048-360LF
- SKY65049-360LF
- SKY65050-372LF
- SKY65052-372LF
- SKY65066-360LF
- SKY67100
- SKY67101
- SKY65080

High Gain PA Modules

- M** SKY65120
- SKY65124
- SKY65126
- SKY65127

Variable Gain Amplifiers

- N** SKY65031